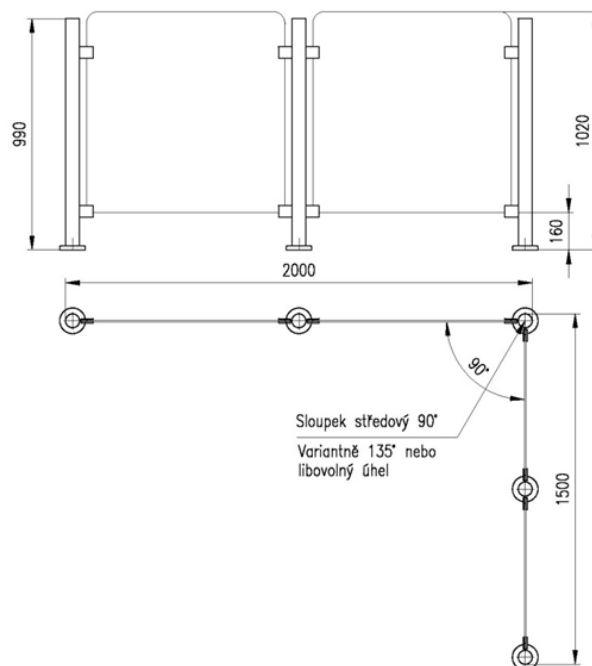
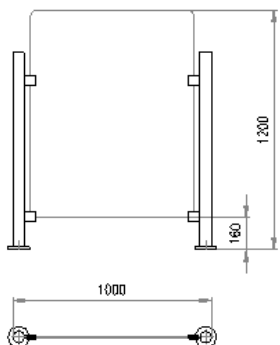
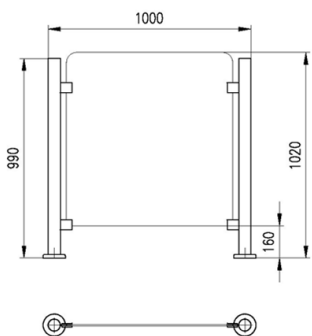
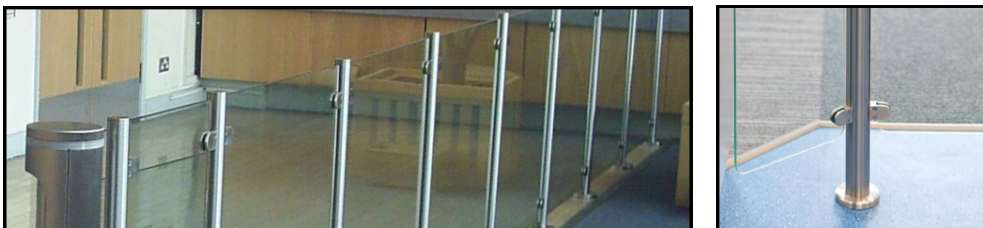


# Infill Barrier Railing

## Concept

The Centurion Infill system is a sleek and effective method for controlling the flow of traffic. It can be adapted to fill a variety of gaps and complements the aesthetics of both turnstiles and your building.

The Centurion Infill system combines safety glass with stainless steel posts. The glass can be provided in different heights and layouts and have an option for engraved logos and signage.



## The Centurion advantage...

- *Technically superior products*
- *Sydney based 24/7 support helpline*
- *Local offices for a faster response*
- *Flexible support packages*
- *Supply only to turnkey project delivery options*
- *14 Years experience in successfully delivering entrance control solutions*

## Key Benefits

Toughened Safety Glass Panels

Options for sandblasting logos

1000—1800 mm high panels

Modular Construction

Other Design Options Available