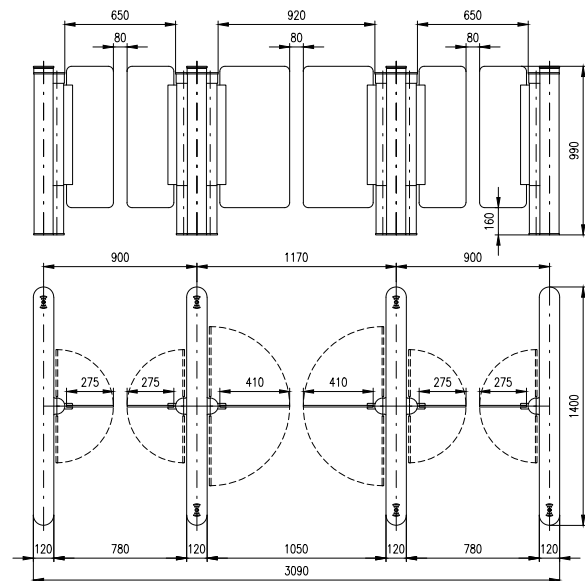
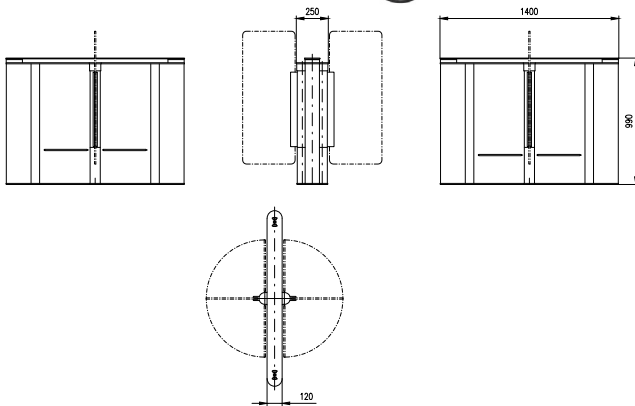


EASYGATE ELITE

STYLISH. DISCREET. FLEXIBLE.



AT A GLANCE

- Available in rounded cabinet
- Barrier opening time from 0.7 seconds
- Customisable finishes
- DDA Compliant

SPECIFICATIONS

DIMENSIONS

Standard:	1400mm(L) x 120mm(W) x 990mm(H)
Barrier Height:	990mm – 1800mm
Lane width:	550mm – 1050mm (customisable)
Gap Between barriers:	50mm
MBTF:	3,000,000 operations
Warranty:	24 months
Sensors:	Up to 30 sensor pairs
Power Supply Input:	230 volts
Control Electronics:	12 V DC
Current:	Standby 0.4 A
Consumption:	Operational 6 A

Operating Temp:	10°C to 50°C (with heater)
Motor:	12 V DC
Operation Mode:	Normally Closed
Control:	Card In / Card Out Card In / No Exit Card In / Free Exit Locked Free Passage
Pictograms:	Wait Mode (White Indicator) Access Granted (Green Indicator) Illegal Transaction (Red Indicator)

Barrier Opening Time (Standard lane): 0.7 Seconds

MATERIALS

Top Cover:	8mm Smoked Glass (other options)
Front Cover:	Stainless Steel
Side Panels:	Stainless Steel
Frame:	Steel

Specifications subject to change without prior notice.