



# CENTURION CHIMERA PORTAL



## SECURE

Security portals are designed to physically stop tailgating in unmanned situations, and provide a greater level of security than traditional turnstiles or speedgates.

They operate by the first door opening, and the authorised person proceeds into the portal. The first door closes, and the anti-tailgating system checks only one person is in the portal. Once this check is complete, and any additional security checks have been passed, the second door opens to let the authorised person into the secure area.

Centurion portal door interlock technology ensures at least one door is closed at all times to restrict access. To prevent tailgating, the portal checks the entrant's weight against pre-set thresholds. If the weight exceeds the threshold, the Dynamic Weighing Software analyses how the weight has entered the portal. To protect against vandalism or attacks, the portal is made of attack and bullet resistant glass with options for higher rated solutions.

## SAFE

The portal can be set to have both doors open for certain operational hours or deliveries. Other safety features include integration to the fire alarm, battery back-up to provide continued operation in case of power failures, internal anti-panic button to power down the last door opened so it can be manually opened, and IR safety sensors to check the door way is clear before closing. The portals come with an internal intercom for communication with security or reception teams. They also offer a VIP mode whereby the tailgate detection system is turned off for certain users.

## KEY FEATURES

- ✓ Manual doors – no motors to fail or maintain
- ✓ Designed to stop tailgating and piggyback attempts
- ✓ Sophisticated tailgate detection technology
- ✓ Attack and bullet resistant glass options
- ✓ DDA compliant version
- ✓ Cost effective option
- ✓ Door Interlock System to ensure one door is closed at all times
- ✓ Voice communication to guide users
- ✓ Remote control panel with intercom

[www.entrancecontrol.com.au](http://www.entrancecontrol.com.au)

# CENTURION CHIMERA PORTAL SPECIFICATIONS



## ABOUT THE CENTURION CHIMERA PORTAL

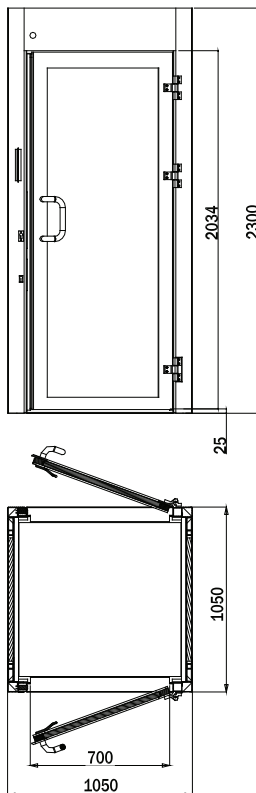
The Chimera portal is simple, safe and minimalistic anti-tailgating security solution. It's a manual security booth, meaning it has no motors that can fail or need maintenance making it a cost effective option. It's simple manual door design can be offered in right or left handed doors to suit your facility and comes with a 70cm or 90cm passage.

The Chimera security portal is a user-friendly option for your facility. Digital voice communication helps guide users through the portal, and there's control panel with an intercom system if needed, so it's well suited for unmanned areas.

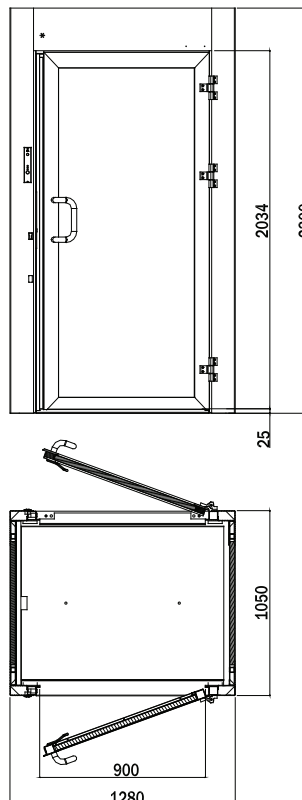
It's a reliable, cost-effective security booth with small footprint to keep your facility safe and secure without taking up your space.



STANDARD CHIMERA PORTAL



CHIMERA PORTAL VARIANT



## CENTURION CHIMERA PORTAL

Door opening size	700 mm
Standard glass Thickness	Entry/exit glass 27 mm thick
Rating	BR3 (EN 1063), P6B (EN 356)
Optional glass thickness	Lateral glass 27 mm thick
Rating	BR3 (EN 1063), P6B (EN 356)
Certification	See variant
Tailgate detection technology	Weight check
Door action	Manual
DDA	N/A
Height	2300 mm
Width	1050 mm
Depth	1050 mm
Standard finish	Paint finish and RAL colour
Bottom step height	25
Optional finishes	Brush or polished stainless steel, coloured stainless steel, brass, bronze, custom paint finishes
Throughput	6 people per minute
Option	Metal detector
Variant	Chimera D
Variant benefit	90cm opening means it is not

### Options:

- Laterals glasses in class BR3/S (EN1063), P6B (EN356)
- Floor frame for the booth fixing to ground
- Extension to increase the booth total height
- Metal upper cover
- Metal detector placed inside the structure with automatic reset after each alarm
- 7 AH built-in battery backup
- Additional key for first entry
- Internal/external support either for card or proximity reader
- Internal microcamera
- Biometric identification
- CCTV
- Additional console
- Input/output card (I/O)
- Wooden box packaging
- Electronics passive heating system that is thermostated for low temperatures.

Specifications subject to change without prior notice.