

## Bar THREE

### ABOUT

The Bar THREE is a traditional tripod turnstile. The Bar THREE features Intelli-Motion speed control which is designed to improve the user experience by providing a consistently smooth, controlled, rotation. The turnstiles microprocessor custom-adjusts the rotation speed of the turnstile to the user. If the user pushes gently, the turnstile turns slowly. If the user pushes hard, the turnstiles' speed automatically increases. This kind of consistently controlled rotation is safer for the user and substantially reduces turnstile wear and tear in heavy use installations for lower maintenance requirement and a longer life span. Intelli-Motion solves the issue where certain turnstiles are harder to push than others and where recoil from the turnstile arms can sometimes be a problem. Combining security, safety and high aesthetics at a highly cost effective price point the Bar THREE is ideal for a wide range of applications.

### KEY FEATURES

- Traditional tripod design
- Clear emergency egress path
- Motorised
- 24 Month Warranty
- Integrates with fire alarm systems



# Bar THREE



## Specification

### Dimensions

Standard: 990mm(L) x 210mm(W) x 990mm(H)

Turnstile Lane width 550 to 600mm

Power Supply Input : 230 volts

Control Electronics : 12 V DC

Current : Standby 0.1 A

Consumption : Operational 3 A

Operating Temp : -30°C to 50°C

Humidity : 80%

Motor : 12V DC

Operation Mode : Fail Secure

(Fail Safe Option)

Control : Card In / Card Out

Card In / No Exit

Locked

### Operating Parameters

- Operating temperature: -30°C to +50°C
- Humidity: maximum 80%
- MCBF: 5.000.000 cycles (Mean cycle before failure)

### Options

LED Traffic Lights,

Anti Crawl Sensors,

Anti Climb Sensors

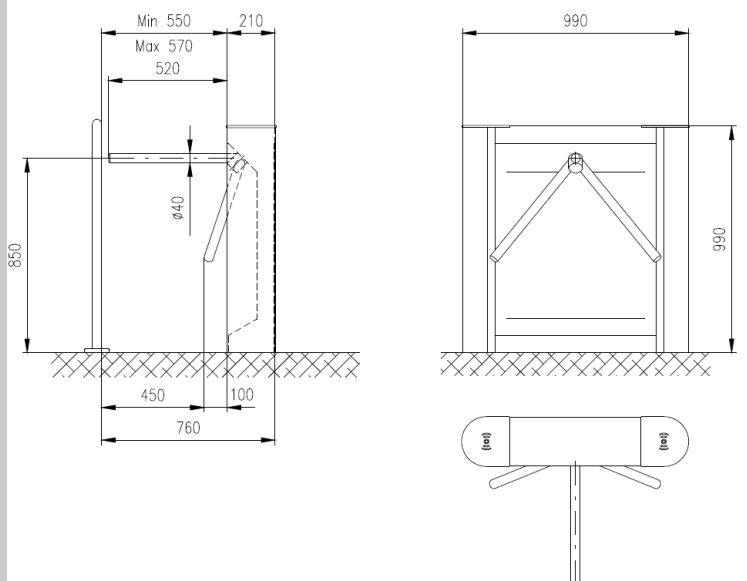
Mobile Base

Infill barrier to create lanes

Dummy Pedestals to create lanes

SwingGate for DDA access

*NB: Specifications subject to change without prior notice*



# 3