



EasyScreen

- This screen is an all in one counter top solution—3 panel & single panel version available.
- It can be configured to fit most size bench tops.
- Quick deployment — No building work required.
- Can be temporary, semi permanent or permanent.

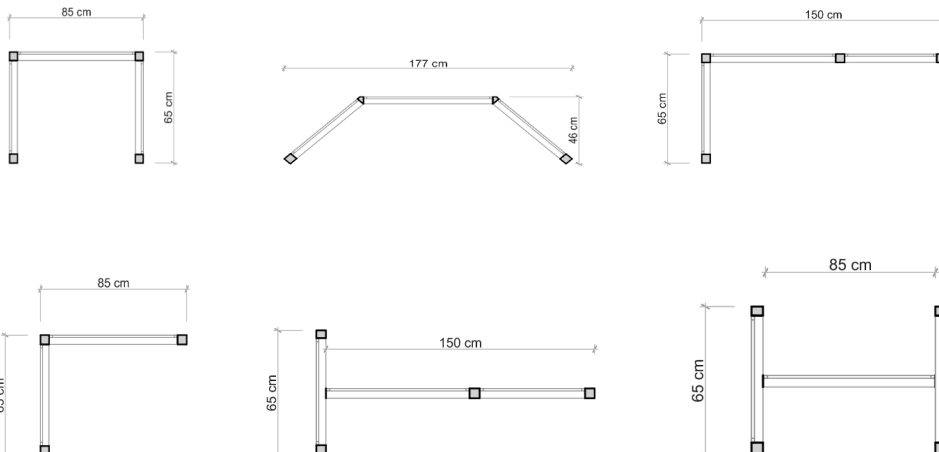
In response to current health safety concerns associated with the Co-Vid19 crisis and the unprecedented demand for enhanced separation between individuals, We have developed a solution for businesses to help maintain social distance as they continue to serve their customers. The Countertop Screen is designed to be easily cleanable and acts as a barrier between employees and customers in close proximity.

Created to provide comfort and relief for employees and the customers they serve, the Countertop Screen is a 80cm high clear acrylic partition that forms a shield that may help prevent the direct physical and airborne spread of germs. The clear acrylic allows for items to be scanned at checkout through the screen, preventing the physical contact needed to transfer products.

Two Versions are available:

1 Panel Screen (85 x 82cms high) \$495

3 Panel Screen (85 x 65 x 82cms high) \$995



Contact for further information

t: 02 9906 7522

w: entrancecontrol.com.au

e: sales@entrancecontrol.com.au