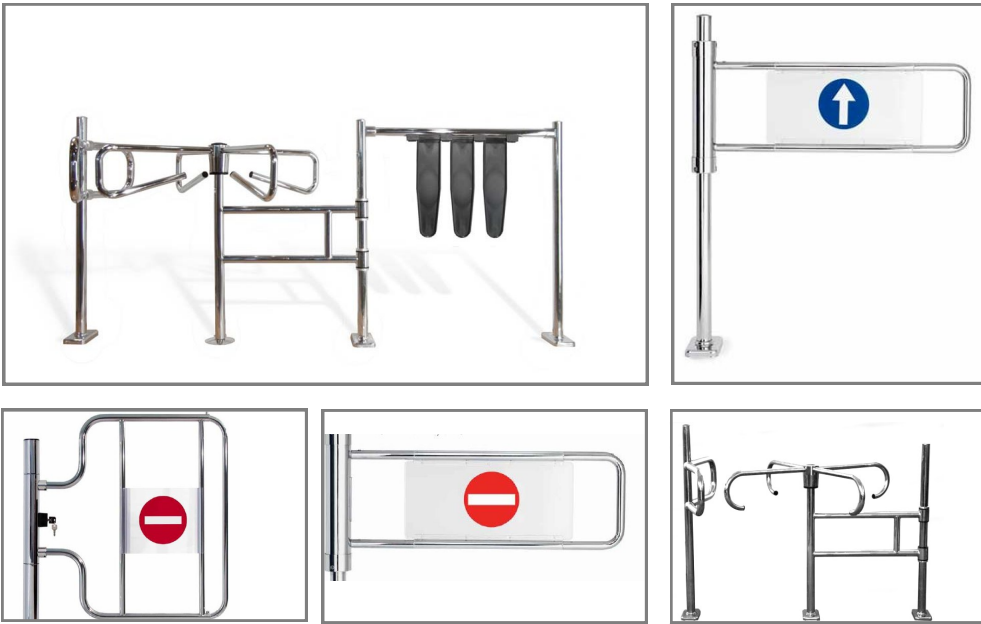


Centurion PathMinder

Concept

Our PathMinder range offer an extremely effective yet economical directional control solution. As reliable as it is practical, our mechanical gates are designed to be used in areas to positively indicate the entrance/exit traffic flow and particularly suited where low to medium security environments.

The gates can be used to politely control customers movement to the right exit via a cash desk or staff member to verify the required transaction has taken place.



PathMinder Turnstile

The mechanical turnstile is the ideal solution for controlling foot flow on a limited budget. This turnstile is compact yet very effective -allowing throughput to be controlled with only minimum supervision. It is a proven design and is constructed from the highest quality materials to give total reliability.

The added benefit to this particular unit is that the turnstile has a built in safety feature. When the turnstile is lifted up, the whole unit can be moved to give a clear wide exit in emergencies.

Features

- The mechanical turnstile is available with an optional trolley flap
- The turnstile has an emergency exit breakout facility as standard
- Left or Right 360 Degrees Operation
- Comes chrome plated finish as standard
- PVC top caps and cups available in Black or chrome
- Minimum 1350mm width required (without trolley flap)
- Trolley flaps available in 1000mm, 1500mm or 2000mm as standard

PathMinder Gate

The PathMinder Gate comes left or right handed and has an integrated and adjustable emergency break-out function. The gate will open through 90 degrees and will return to the closed position with an integrated spring mechanism. A mechanical gate with a long service life and reliable functionality, which can be combined and integrated with our other entrance and customer guidance systems.

Options

- Left Hand or Right Hand 90 Degrees Operation
- Key Lock to Inhibit Opening
- Solenoid Lock for Remote Override

The CENTAMAN advantage...

- *Technically superior products*
- *Sydney based 24/7 support helpline*
- *Local offices for a faster response*
- *Flexible support packages*
- *Supply only to turnkey project delivery options*
- *14 Years experience in successfully delivering entrance control solutions*

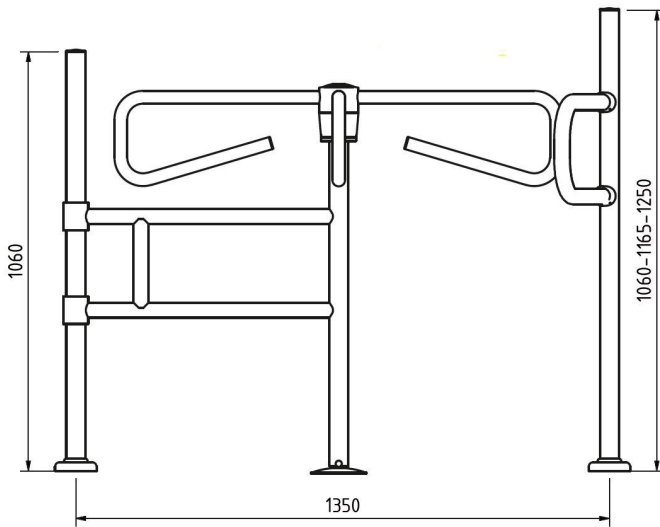
Key Benefits

- **Chrome Finish**
- **Open in One Direction Only**
- **Choice of Left or Right Hand Entry**
- **Safe Emergency Break Out Options**
- **Simple Installation**
- **No Cabling Required**
- **Highly Cost Effective**
- **Low Maintenance**

Applications

Retail, Schools, Museums, Leisure Clubs, Cafeterias, Schools, Universities, Attraction Centres, Manufacturing Plants, Offices, Attractions and Transport Facilities





Centurion PathMinder Turnstile

Standard Finish - Chrome

Opening Controls

- Manual

Break-out Facility

- Liftup Emergency break-out facility with manual re-set

Functionality

- Left or Right 360 Degree operation

NB: Specifications subject to change without prior notice

Centurion PathMinder Gate

Standard Finish - Chrome

Opening Controls

- Manual

Break-out Facility

- Emergency break-out facility with manual re-set

Adjustable Settings

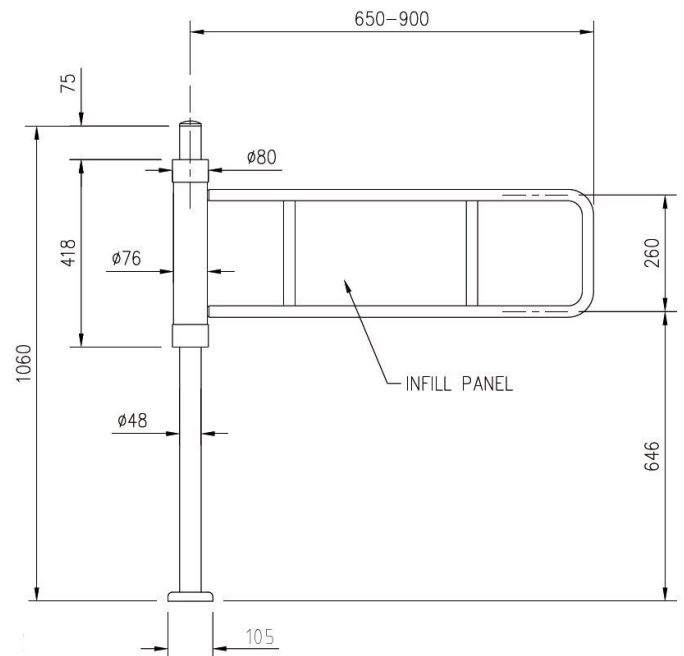
- Break-out force (40 -120Nm at 1 m)

Gate Functionality

- Left or Right (to be specified at point of order)

Gate Arms

- Standard



About CENTAMAN

CENTAMAN Systems Pty is the exclusive distributor for some of the world's most prestigious entrance control brands that are used to protect leading corporations, governments, leisure and education facilities as well as retailers around the globe. The products highlighted here are just some of the options available that make up the CENTAMAN portfolio of entrance control solutions.

With over 14 years experience successfully delivering entrance control solution and over 40 staff and operates 5 offices throughout Australia and New Zealand CENTAMAN is the ideal choice of partner for all your entrance control requirements. CENTAMAN offers supply only to full turnkey installation projects and has a variety of flexible support and maintenance options to ensure the ongoing reliable operation of your entrance control solution all backed by a Sydney based 24/7 support telephone support helpline.

Sydney Office

127 Alexander Street
Crows Nest
NSW 2065

Tel (02) 9906 7522

Melbourne Office

Unit 6
752 Blackburn Road,
Clayton
Vic 3168

Tel (03) 9530 6830

Brisbane Office

Level 13,
269 Wickham Street,
Fortitude Valley
QLD 4006

Tel (07) 3852 2535

Perth Office

Suite 8a,
7 Kintail Road,
Applecross
WA 6153

Tel (08) 9345 3599

New Zealand Office

Suite 4,
101 Station Rd,
Penrose
Auckland 1061

Tel (09) 579 4600

United States Office

31st Floor,
875 N Michigan Ave,
Chicago,
IL, 60611

Tel 1-800-804-9373